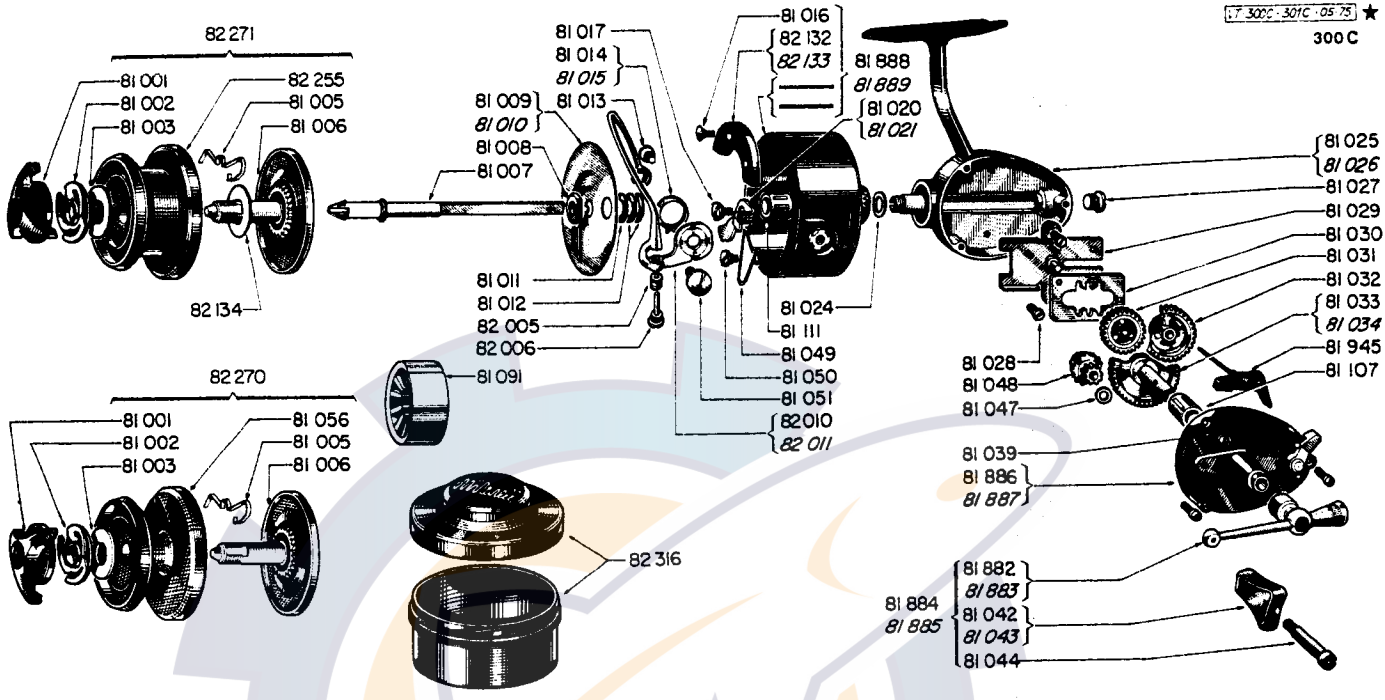


17 300C-301C-05-75 ★  
 300C



CODE NO.	DESCRIPTION	SUGGESTED RETAIL	CODE NO.	DESCRIPTION	SUGGESTED RETAIL
81001	Drag Adjusting Knob	.60	81049	Trip Lever Spring	.25
81002	Brake Spring	1.05	81050	Trip Lever Spring Screw	.25
81003	Teflon Drag Washer	.25	81051	Bail Screw NO 1	.60
81005	Click Spring	.40	*81056	Spool (large)	6.50
81006	Spindle	2.45	81091	Spool Arbor	1.00
81007	Axle	2.40	81107	Cover Plate Bearing	2.40
81008	Hex Nut	.25	81111	Rotating Head Bearing	2.40
81009	Baffle Plate	.95	*81882	Handle Shank	5.40
81010	Baffle Plate	.95	*81883	Handle Shank	5.40
81011	Baffle Plate Washer	.25	*81884	Handle Complete Standard	4.70
81012	Shims to Adj. Head Baffle Plate	.25	*81885	Handle Complete Standard	4.70
81013	Bail Screw N 2	.45	81886	Cover Plate	6.50
81014	Bail Spring	.45	81887	Cover Plate	6.50
81015	Bail Spring	.45	81888	Rotating Head	8.05
81016	Counterweight Screw	.25	81889	Rotating Head	8.05
81017	Trip Lever Screw	.25	81945	Anti Reverse Dog	.60
81020	Trip Lever	.85	82005	Roller Line Guide	1.10
81021	Trip Lever	.85	82006	Line Guide Screw	.85
81024	Shims to Adj. Head Housing	.45	82010	Bail	9.70
81025	Housing	8.05	82011	Bail	9.70
81026	Housing	8.05	82132	Right Counterweight	.90
81027	Lube Port Screw	.25	82133	Left Counterweight	.90
81028	Oscillation Guide Screw	.25	82134	Fiber Washer	.25
81029	Oscillation Guide	.95	*82255	Small Spool	2.85
81030	Oscillation Slide	.95	*82270	Spool Complete Large Less Container	5.50
81031	Pivot Gear	1.10	*82271	Spool Complete Small Less Container	3.65
81032	Transfer Gear	1.10	82316	Spool Container	1.10
81033	Drive Gear	5.25			
81034	Drive Gear	5.25			
81039	Cover Screw	.25			
81042	Handle Knob	.60			
81043	Handle Knob	.60			
81044	Handle Knob Screw	.60			
81047	Shims to Adj. Pinion Gear	.25			
81048	Pinion Gear	3.00			

\*When present inventory is depleted, this part will be replaced by another number. Please refer to chart in back of book.